

INSTALLATION GUIDE



Fuel Sump Kit

Universal Fitment

(Install Time: 30-45 Mins)





DISCLAIMER

1) By installing this product onto your vehicle, you assume all risk and liability associated with its use.

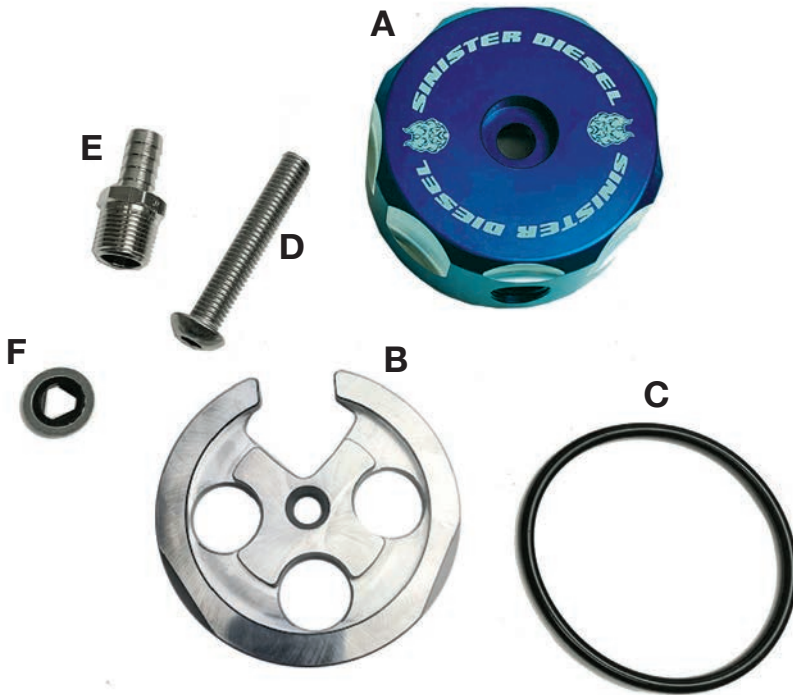
2) It is your responsibility to make sure your vehicle complies with all federal, state, and local emissions laws. Federal and many state and local laws prohibit the removal, modification or rendering inoperative of any part of the design affecting emissions or safety on motor vehicles used on a public street or highway. Violation may result in a fine of up to \$32,500 per vehicle (or possibly higher depending on changes in the law). All civil penalties and fines for removing your vehicle's emissions equipment are the sole responsibility of the end user.

3) Due to its high performance nature, this product may void vehicle manufacturer's warranty.

4) Sinister Mfg Company, Inc. is not responsible for misuse of its products. By installing this product, you release Sinister Mfg Company, Inc. of any and all liability associated with its use.

5) Depending on where you live, restrictions may apply. Check all applicable laws before installing or using!

6) The purchaser and end user releases, indemnifies, discharges and holds harmless Sinister Mfg Company, Inc. from any and all claims, damages, causes of action, injuries, or expenses resulting from or relating to the use or installation of this product that is in violation of the terms and conditions on this page, the product disclaimer, and/or the product installation instructions. Sinister Mfg Company, Inc. will not be liable for any direct, indirect, consequential, punitive, statutory, or incidental damages or fines caused by the use or installation of this product.



PART:	DESCRIPTION:	QTY:
A	Fuel Sump	1
B	Inner Sump Ring	1
C	O-Ring	1
D	Mounting Bolt	1
E	1/2" Fitting	1
F	Sealing Washer	1

IMPORTANT: READ ALL INSTRUCTIONS PRIOR TO INSTALL. Prior to installation, please compare the parts that you have received with the bill of materials provided on this page to assure that you have all the parts necessary for the installation.



CAUTION !!! Never work on a hot vehicle. Serious injury in the form of burns can result if the vehicle has been in use. Allow vehicle to cool prior to installation. Always wear eye protection when working on or under any vehicle.

IMPORTANT: Installation of the Sinister Diesel Fuel Sump kit will result in fuel loss. We recommend doing this install with as empty of a tank as possible. Instructions are done with tank removed from vehicle, but the kit can be installed without removing the tank as well.

- 1 Start with draining as much fuel from the fuel tank as possible. Locate the lowest point on the tank, usually near the factory pickup. (Image 1).



IMAGE 1

- 2 Wipe down the area where you will be drilling the hole. Using a 3" hole saw, drill your hole. Be sure to clean the cut edges and make sure there are no plastic shavings in the tank. (Image 2).



IMAGE 2

- 3 Pre-assemble fuel sump and ring. Place O-ring in groove on sump (A). Place washer (F) on bolt (D) (metal side towards bolt head so rubber side will seal against sump), insert bolt (D) through face of sump (A) and thread into inner sump ring (B) (Image 6) make sure bolt threads into raised + side of inner sump ring (B). (Image 3).

- 4 Place C notch of inner sump ring (B) into cut hole in fuel tank. Rotate fuel sump assembly and help inner sump ring (B) into tank. (Image 4).



IMAGE 3

- 5 Center assembly over hole in tank, rotate the fitting hole towards your lift pump. Tighten center bolt (D).



IMAGE 4

- 6 Thread $\frac{1}{2}$ " fitting into sump (E) and tighten. Attach your $\frac{1}{2}$ " fuel line from your aftermarket lift pump directly to your sump fitting.

- 7 Installation is complete, add fuel, bleed any air from your fuel system, fire the engine up and check for leaks.



IMAGE 5

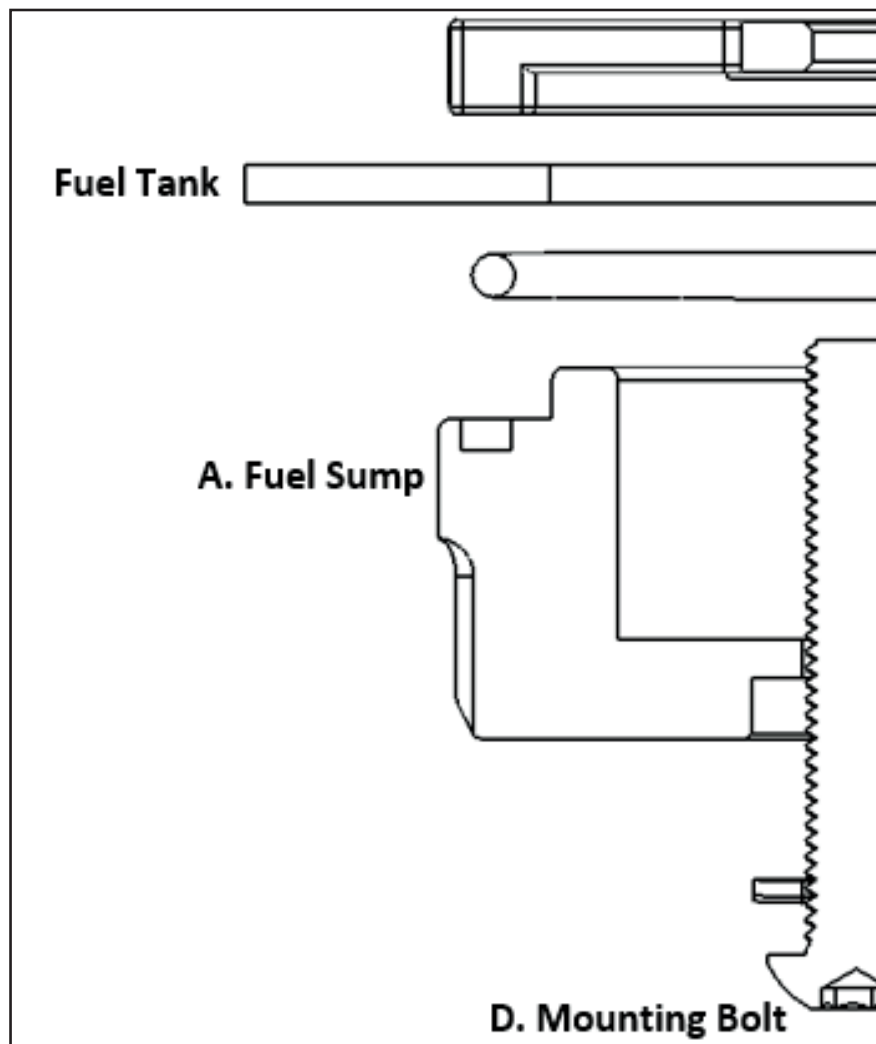
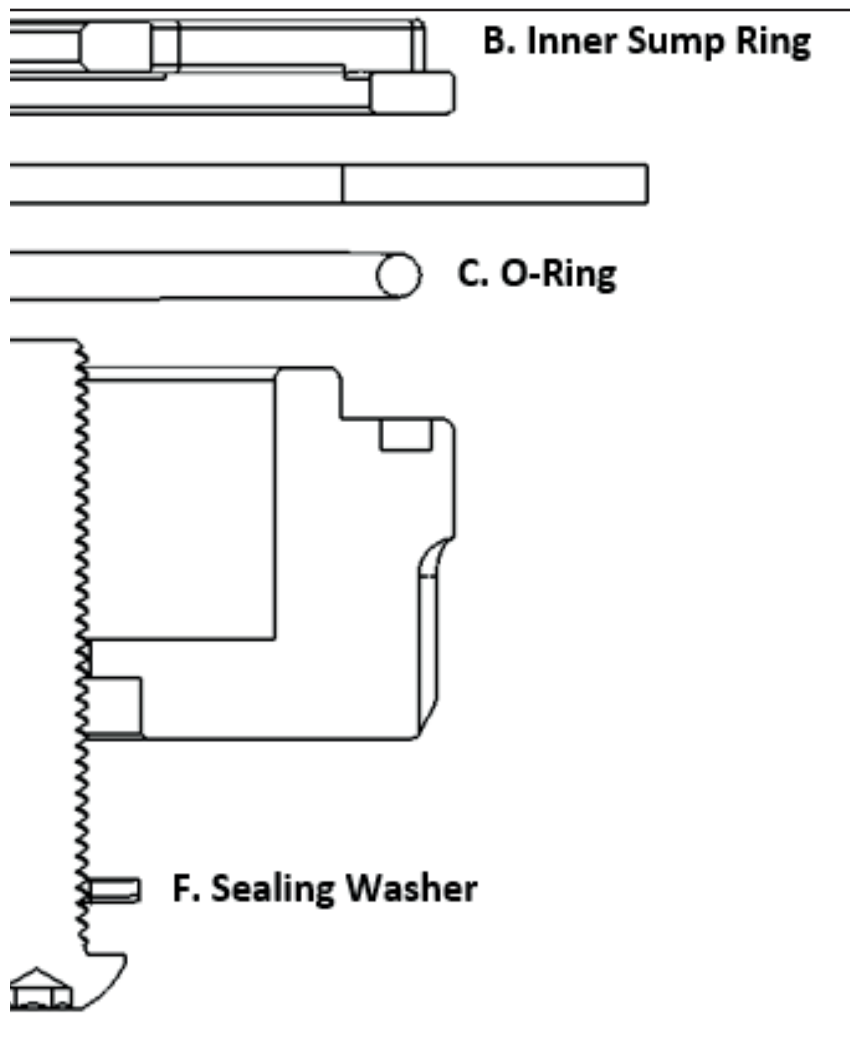


IMAGE 6



SD-FUELSUMP (Rev A)

2020



#1 IN PERFORMANCE PARTS & KITS

2025 OPPORTUNITY DR. ROSEVILLE, CA 95678 SINISTERDIESEL.COM 877.692.4110